



# CQD16-20RV(F)2

## Electric Reach Truck 1.6/2.0T

- Optimal visibility
- High stability
- Enjoyable lifting operation
- Easy and precise operation

**EP EQUIPMENT CO.,LTD**  
[www.ep-ep.com](http://www.ep-ep.com)



## FEATURE

### ■ Optimal visibility

Along with the offset layout of the oil tubes, stacking visibility and operation flexibility of CQD16/20RV(F)2 are greatly improved.



### ■ Enjoyable lifting operations

CQD16RV(F)2 and 20RV(F)2 offer powerful performance and quiet operation through the upgraded hydraulic pump and reduces operation noise by 10 dB.



### ■ Easy and precise operations

CQD16RV(F)2 and 20RV(F)2 are equipped with mechanic height indicators, that tells operators the correct height of the fork at various rack levels for precise operation to improve the stacking efficiency.



### ■ High stability

The low center of gravity and the newly I-beam mast design enhance the truck stability. The maximum lifting height of CQD16RV(F)2 is 9500 mm while the one of CQD20RV(F)2 is 12000 mm.



## FEATURE

---

### Easy Steering

CQD16/20RV(F)2 come with full AC motors and electric power steering system that consumes less power compared to hydraulic power steering while keeps operation habits of trucks with mechanical steering through the additional damping force. So CQD16/20RV(F)2 give more working hours than ones with hydraulic power steering.



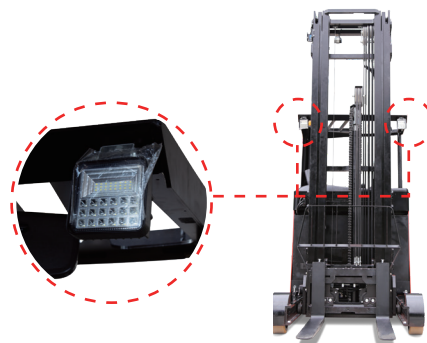
### Full-color Display

CQD16/20RV(F)2 are designed with a color display to help operators easily monitor battery charge level, driving speed, and check error codes.



### 6000K Led Light

CQD16/20RV(F)2 are equipped with 6000K led lights to cope with the dark environment for optimal visibility.

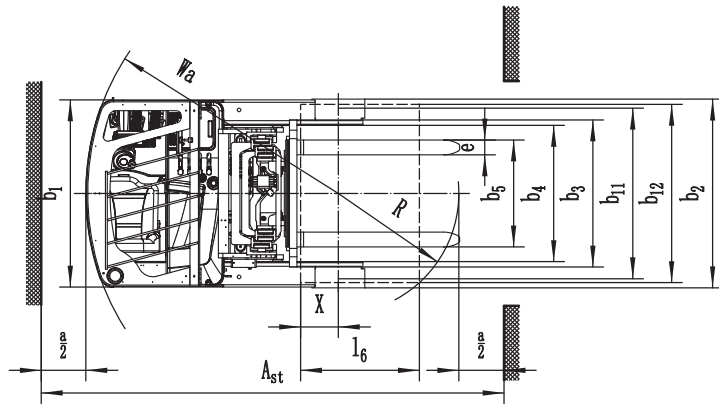
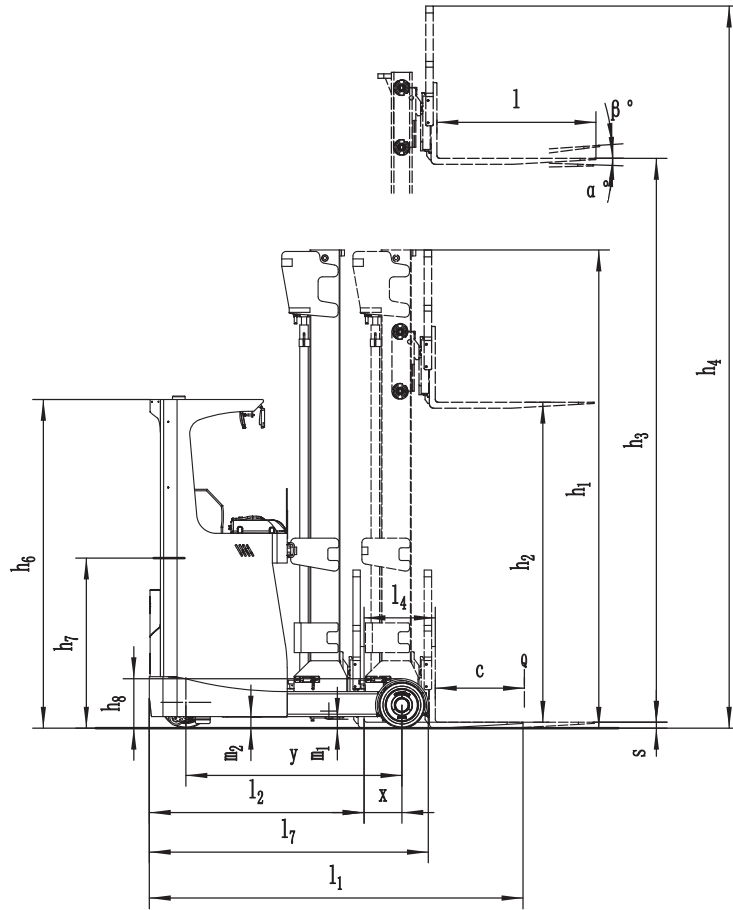


# Electric Reach Truck 1.6/2.0T

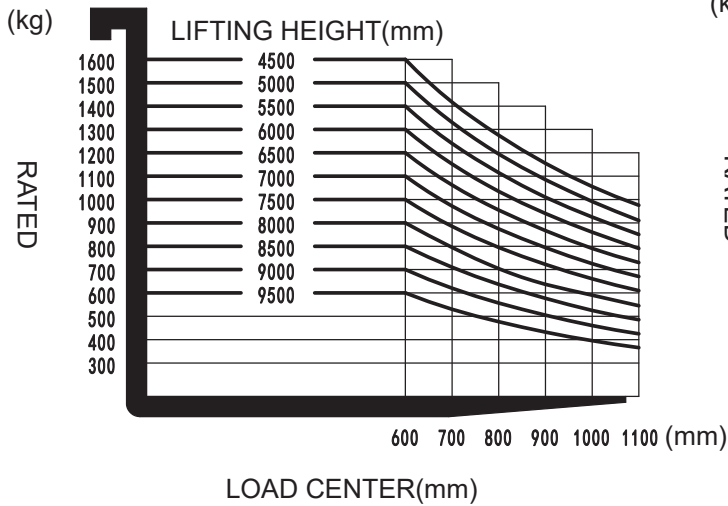
## CQD16-20RV(F)2

Distinguishing mark				
1.1	Manufacturer			EP
1.2	Model designation		CQD16RV2 CQD16RVF2 CQD20RV2 CQD20RVF2	
1.3	Drive unit			Battery
1.4	Operator type			seated
1.5	rated capacity	Q	t	1.6 2
1.6	Load center distance	c	mm	600
1.9	Wheelbase	y	mm	1454 <sup>①</sup> 1524 <sup>①</sup>
Weight				
2.1	Service weight (include battery)		kg	3741 <sup>②</sup> 3750 <sup>②</sup>
2.2	Axle loading, fork advanced, unladen driving side/loading side		kg	-
2.3	Axle loading, fork retracted, unladen driving side/loading side		kg	2150/1520
2.4	Axle loading, fork advanced, laden driving side/loading side		kg	500/5240
2.5	Axle loading, fork retracted, laden driving side/loading side		kg	1820/3910
Types, Chassis				
3.1	Tyre type driving wheels/loading wheels			polyurethane
3.2	Tyre size, driving wheels (diameter×width)		mm	Φ343×140
3.3	Tyre size, loading wheels (diameter×width)		mm	Φ310×118 <sup>⊙</sup>
3.4	Tyre size, caster wheels (diameter×width)		mm	Φ102×51
3.5	Wheels, number driving, caster/loading (x=drive wheels)			1x/2
3.6	Track width, front, driving wheels	b10	mm	0
3.7	Track width, rear, loading wheels	b11	mm	1148
Dimensions				
4.1	Tilt of mast/fork carriage forward/backward	α/ β	°	2/4
4.2	Height, mast lowered	h1	mm	3219 <sup>③</sup>
4.3	Free lift (load backrest)	h2	mm	1712 <sup>③</sup>
4.4	Lift height	h3	mm	7500 <sup>③</sup>
4.5	Height, mast extended	h4	mm	8565 <sup>③</sup>
4.7	Height of overhead guard (cabin)	h6	mm	2213
4.8	Seat height/standing height	h7	mm	1145
4.10	Height of wheel arms	h <sub>8</sub>	mm	333
4.19	Overall length (minimum)	l1	mm	2515 <sup>①</sup>
4.20	Length to face of forks	l2	mm	1445 <sup>①</sup>
4.21	Overall width	b1/ b2	mm	1260/1270 <sup>①</sup>
4.22	Fork dimensions	s/ e/ l	mm	40×100×1070 40×120×1070
4.23	Fork carriage class/type A, B			2A
4.24	Fork carriage width	b3	mm	990
4.25	Distance between fork-arms	b5	mm	200/770 240/770
4.26	Distance between wheel arms/loading surfaces	b4	mm	915
4.28	Reach distance	l <sub>4</sub>	mm	480 <sup>①</sup> 555 <sup>①</sup>
4.31	Ground clearance, laden, below mast	m1	mm	60
4.32	Ground clearance, center of wheelbase	m2	mm	70
4.34.1	Aisle width for pallets 1000 × 1200 crossways	Ast	mm	2873 <sup>①</sup> 2889 <sup>①</sup>
4.34.2	Aisle width for pallets 800 × 1200 lengthways	Ast	mm	2951 <sup>①</sup> 2952 <sup>①</sup>
4.35	turning radius	Wa	mm	1700 <sup>①</sup> 1770 <sup>①</sup>
4.37	Length across wheel arms (exclusive fork)	l <sub>7</sub>	mm	1878 <sup>①</sup> 1948 <sup>①</sup>
Performance data				
5.1	Travel speed, laden/ unladen		km/ h	10/11 9/9.5
5.2	Lifting speed, laden/ unladen		m/ s	0.35/0.5 0.35/0.45
5.3	Lowering speed, laden/ unladen		m/ s	0.41/0.38 0.41/0.38
5.4	Reaching speed, laden / unladen		m/ s	0.18/0.18
5.8	Max. gradeability, laden/unladen		%	10/15
5.10	Service brake type			Electronic
	Park brake type			Electromagnetic
Electric engine				
6.1	Drive motor rating S2 60 min		kW	7
6.2	Lift motor rating at S3 15%		kW	11.75 13
6.3	The maximum allowed size battery		mm	1220×355×778 1220×427×778
6.4	Battery voltage/nominal capacity K5		V/ Ah	48/500 <sup>④</sup> 48/500 <sup>④</sup>
6.5	Battery weight		kg	925 <sup>④</sup> 925 <sup>④</sup>
Addition data				
8.1	Type of drive unit			AC
10.5	Steering type			Electronic
10.7	Sound pressure level at the driver's ear		dB (A)	75

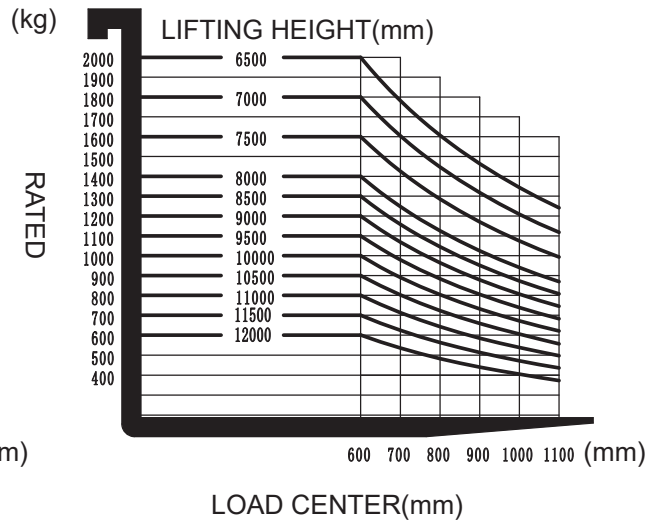
If there are improvements of technical parameters or configurations, no further notice will be given.  
The diagram shown may contain non-standard configurations.



RATED CAPACITIES GRAPH



RATED CAPACITIES GRAPH



# Mast Option

## ①Service weight (include battery)

Mast stages	Mast height(mm)	Model	
		CQD16RV(F)	CQD20RV(F)
2-stage mast	2700	3078	3087
	3000	3103	3112
	3300	3127	3136
	3640	3155	3164
	4000	3184	3193
	4300	3208	3217
	4520	3236	3245
	5000	3275	3284
	5480	3317	3326
	6000	3374	3383

3-stage mast	4050	3369	3378
	4500	3411	3420
	5000	3454	3463
	5500	3502	3511
	6000	3551	3560
	6500	3594	3603
	7000	3710	3719
	7500	3741	3750
	8000	3809	3818
	8500	3869	3878
	9000	3928	3937
	9500	3976	3985
	10000	—	4336
	10500	—	4384
	11000	—	4430
11500	—	4477	
12000	—	4523	

## ②Mast

2-stage mast				
Lift height	Lowered mast height	Free lift	Extended mast height	
h3	h1	h2	h4	h4(*)
2700	1980	120	3765	3280
3000	2130	120	4065	3580
3300	2280	120	4365	3880
3640	2450	120	4705	4220
4000	2630	120	5065	4580
4300	2780	120	5365	4880
4520	2960	160	5585	5140
5000	3200	160	6065	5620
5480	3460	160	6545	6120
6000	3720	160	7065	6640

Note: (\*) for without backrest

3-stage mast					
Lift height	Lowered mast height	Free lift		Extended mast height	
h3	h1	h2	h2(*)	h4	h4(*)
4050	1999	522	522	5115	5113
4500	2149	672	672	5565	5563
5000	2299	772	772	6065	6063
5500	2469	952	952	6565	6563
6000	2649	1172	1172	7065	7063
6500	2799	1272	1272	7565	7563
7000	3049	1532	1532	8065	8063
7500	3219	1712	1712	8565	8563
8000	3389	1852	1852	9065	9063
8500	3609	2072	2072	9565	9563
9000	3769	2212	2212	10065	10063
9500	3939	2392	2392	10565	10563
10000	4159	2612	2612	11065	11063
10500	4329	2792	2792	11565	11563
11000	4489	2932	2932	12065	12063
11500	4659	3112	3112	12565	12563
12000	4819	3252	3252	13065	13063

Note: (\*) for without backrest

## ③Dimensions(mm)

With side shift	Mast stages	CQD16						CQD20									
		2-stage mast		3-stage mast	3-stage mast		2-stage mast	3-stage mast	3-stage mast		2-stage mast	3-stage mast	3-stage mast	3-stage mast			
Mast height h3		h3≤6m	h3≤7.5m	8msh3≤9.5m	h3≤6m	h3≤7.5m	8msh3≤9.5m	10msh3≤12m	h3≤6m	h3≤7.5m	8msh3≤9.5m	10msh3≤12m	h3≤6m	h3≤7.5m	8msh3≤9.5m	10msh3≤12m	
Battery Capacity		≤600Ah						700Ah, 750Ah									
Wheel base	y	1454	1454	1524	1524	1524	1594	1594	1524	1524	1594	1594	1524	1524	1594	1594	
Overall length (minimum)	l1	2515	2515	2515	2515	2515	2515	2515	2585	2585	2585	2585	2585	2585	2585	2585	
Length to face of forks	l2	1445	1445	1445	1445	1445	1455	1455	1525	1525	1525	1525	1525	1525	1525	1525	
Reach distance	l4	480	480	555	555	555	625	625	480	480	555	555	480	480	555	555	
Aisle width for pallets 1000×1200 crossways	Ast	2873			2889			2907			2943			2959			
Aisle width for pallets 800×1200 lenthways	Ast	2951			2952			2958			3016			3021			
Aisle width for pallets 1000×1200 lenthways	Ast	2988			2996			3006			3058			3066			
Aisle width for pallets 800×1200 crossways	Ast	2734			2749			2776			2795			2819			
Turning radius (minimum)	Wa	1700			1770			1840			1770			1840			
Length across wheel arms (exclusive fork)	lr	1878			1948			2018			1948			2018			
Tyre size, loading wheels (diameter×width)	\	Φ310×118						Φ310×208		Φ310×118						Φ310×208	
Overall width	b1/ b2	1260/1270						1260/1450		1260/1270						1260/1450	

## ④Battery

Model	CQD16		CQD20	
	4HPzS 500	4HPzS 600	5HPzS 700	5HPzS 750
Battery capacity	925	935	1115	1140

# OPTION

Options		CQD16RV2	CQD20RV2	CQD16RVF2	CQD20RVF2
Light	Warning Light	●	●	●	●
	6000K LED Front Light	●	●	●	●
	Blue Light	○	○	○	○
	Regional Warning Light	○	○	○	○
Attachment	Integrated Side Shift (4-valve)	●	●	●	●
Battery	500Ah	●	●	●	●
	600Ah	○	○	○	○
	700Ah	○	○	○	○
	750Ah	○	○	○	○
Charger	48V/65A	●	●	●	●
	48V/80A	○	○	○	○
	48V/100A	○	○	○	○
OPS	○	○	●	●	
Wireless Camera	○	○	○	○	
Reversing Hummer	○	○	○	○	
Drive-in Rack	○	○	○	○	
Lateral Parts	Lateral change battery	○	○	○	○
	Accumulator Vehicle	○	○	○	○
	Lateral Bracket	○	○	○	○
Cold Storage	○	○	○	○	
Telematics	○	○	○	○	
Mechanic Height Indicator (only for 3-stage mast)		-	-	●	●
Note: ● standard ○ option — NA					
RV-Manual Valve, RVF-Electromagnetic Valve;					