

# A46JE/A46JRT

## ARTICULATED BOOM LIFTS



- Class-leading articulated boom lifts
- Choose from electric or rough terrain diesel models
- Highly manoeuvrable with tight turning radius
- Superb working envelope with zero tailswing
- Robust, reliable and easy to operate

 **snorkel**  
[www.snorkellifts.com](http://www.snorkellifts.com)

# ARTICULATED BOOM LIFTS

# A46JE/A46JRT

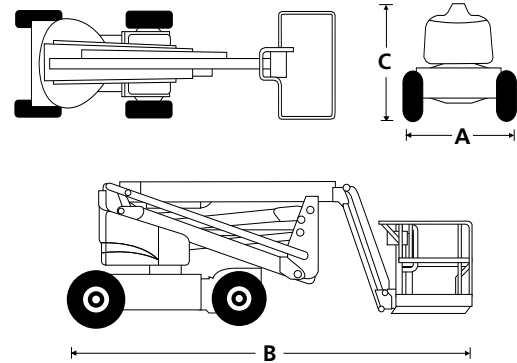
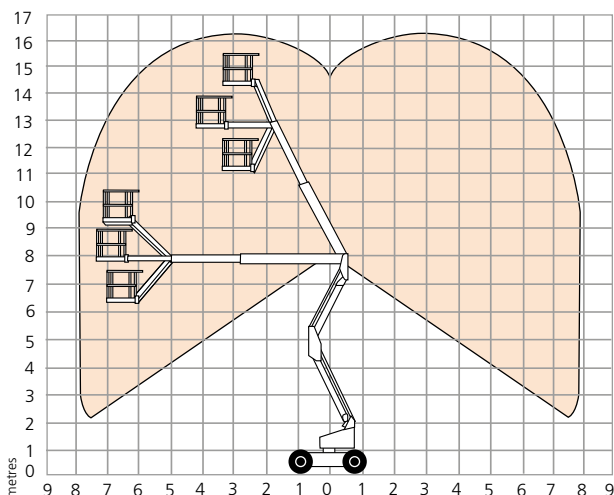
DIMENSIONS	A46JE	A46JRT
Max. working height	16.0m	16.3m
Max. platform height	14.0m	14.3m
Max. working outreach	7.35m	7.35m
Clearance height at max. outreach	7.46m	7.67m
Platform size	1.0 x 1.83m	1.0 x 1.83m
Chassis width (A)	1.7m	2.1m
Overall length (B)	5.6m	5.7m
Stowed height (C)	2.1m	2.16m
Ground clearance	152mm	330mm

PERFORMANCE	A46JE	A46JRT
Platform capacity (SWL)	227kg	227kg
Max. drive height	14.0m	14.3m
Max. wind speed	12.5m/s	12.5m/s
Max. drive speed (stowed)	5.1km/h	5.1km/h
Max. drive speed (elevated)	0.8km/h	1.3km/h
Jib length	1.5m	1.5m
Jib arc	140°	140°
Platform rotation	160°	160°
Superstructure rotation (non-continuous)	360°	360°
Tailswing	0m	0m
Raise/lower time	99/92 seconds	101/98 seconds
Gradeability	30%	45%
Inside turning radius	0.61m	0.81m
Outside turning radius	3.0m	3.17m
Tires	Non-marking foam filled IN240/55D 17.5	foam filled 355/55 D625
Controls	proportional	proportional
Drive system	2 wheel drive	4 wheel drive

POWER	A46JE	A46JRT
Power source	8 x 6V 360Ah batteries	Kubota V1505 24.9hp Diesel

WEIGHT	A46JE	A46JRT
Weight	6,664kg	7,540kg

## WORKING ENVELOPE



## STANDARD FEATURES

- Snorkel Guard™ secondary guarding system
- Multi-function proportional controls
- Flashing amber light
- Foam filled tyres (A46JRT)
- Tri-entry platform
- Tilt alarm
- Oscillating front axle (A46JRT)
- Power line to platform
- Hour meter & onboard diagnostics display
- Horn
- Battery charge indicator (A46JE)
- Drive motion alarm
- 2 year parts & labor, 5 year structural warranty
- ANSI compliant

## OPTIONS

- Special paint colors
- Non-marking tires (A46JRT)
- AC generator 110/240V 2kW (A46JRT)
- Airline to platform
- 5' aluminium with swing gate
- Aircraft package
- Deluxe aircraft package
- Cold weather package
- Extreme cold weather package (A46JRT)
- Extreme environment package
- Light package
- Tool tray (A46JRT)
- Pneumatic tyres (A46JRT only)
- Environmental hydraulic oil
- CSA compliant

**snorkel** [www.snorkellifts.com](http://www.snorkellifts.com)

P.O. Box 1160  
 St. Joseph, MO 64502-1160, USA  
 Tel: 1 (785) 989-3000  
 Toll-free: 1 (800) 255-0317  
 Fax: 1 (785) 989-3070  
 Email: sales.usa@snorkellifts.com